



Assembly Instructions

Lapeyre Stair

Lapeyre® Alternating Tread Stairs

Steel Stair Instructions

Thank you for purchasing the Lapeyre stair. With proper installation, your Lapeyre stair will give you many years of maintenance-free service.

Attaching Handrail

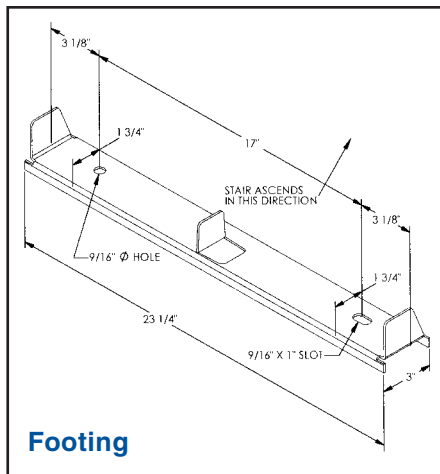
- 1) Remove the Lapeyre stair from the shipping container and lay on a solid, flat surface.
- 2) MAKE SURE THE HANDRAILS NARROW TOWARD THE CENTER OF THE STAIR. Or, in the case of **straight rails**, insure the welds connecting the balusters to the handrails face inward. Using the supplied 1/2"-13 x 1-1/2" bolts, lock washers and rectangular flat washers, attach handrails to the stair. Place carpenter square on the landing, and against the straight, vertical section of handrail. Slide first baluster up or down in the slot until vertical section is 90° to the landing. Tighten the baluster bolt to hold in place, then tighten all handrail bolts to 35 ft-lbs.

Handrail Clearance

When placing the stair, a minimum of 6" should be provided between the handrails and any other object (a minimum of 12" between handrails on two adjacent stairs).

Installation

- 1) Install the stair with the top tread at the same elevation as the upper finished floor or roof surface.
- 2) Prepare the mounting holes for the stair, using the bolt pattern shown, at right, as a guide.
- 3) Put in position and securely bolt both the landing (top) and footing (bottom) of the stair. Insure foot mounting bolts are parallel to the landing mounting surface to avoid twisting the stair. Bolts are not provided. Use bolts or studs (minimum 1/2" diameter).
- 4) If the stair is 15' or taller, you should install bracing to prevent vibration.



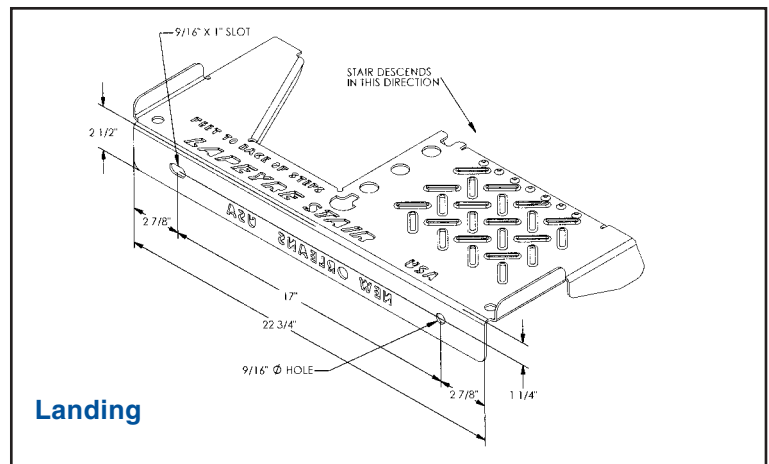
Footing



Bolting Handrails to Stair



Handrails Bend In



Landing



Landing



Footing



Grey prime only - rubber bumper applied on-site to central stringer. Just peel and press.

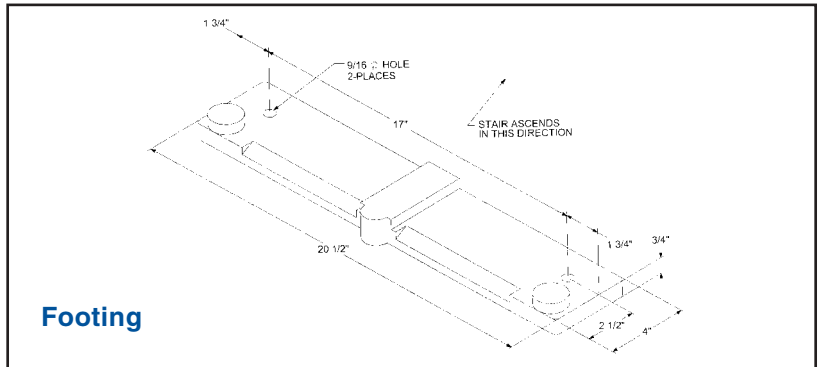
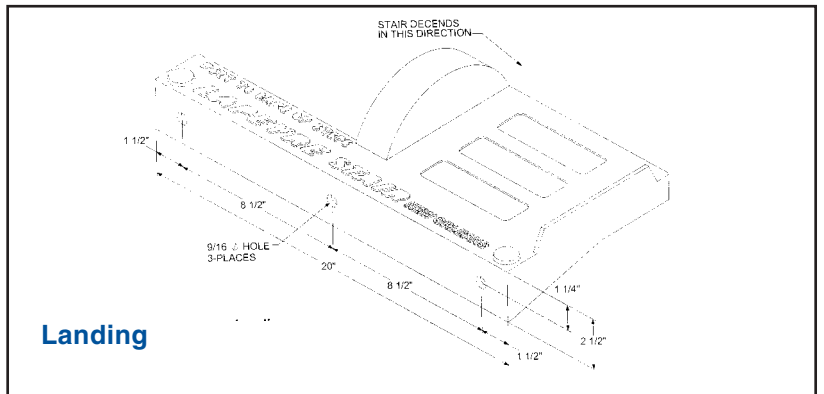
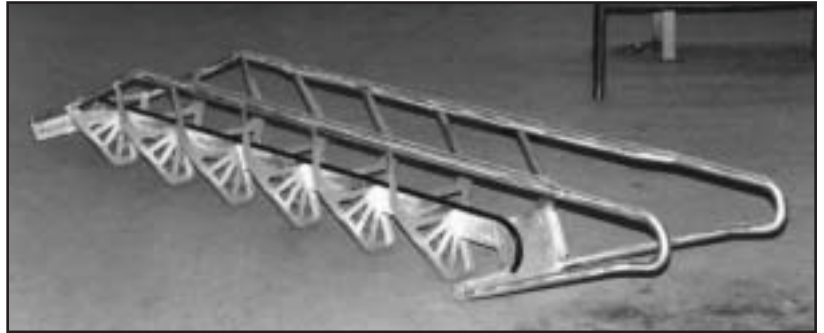
Aluminum Stair Instructions

Handrail Clearance

When placing the stair, a minimum of 6" should be provided between the handrails and any other object (a minimum of 12" between handrails on two adjacent stairs).

Installation

- 1) Install the stair with the top tread at the same elevation as the upper finished floor or roof surface.
- 2) Prepare the mounting holes for the stair, using the bolt pattern shown as a guide.
- 3) Put in position and securely bolt the landing (top) and the footing (bottom) of the stair. Bolts are not provided. Use bolts or studs (minimum 1/2" diameter).
- 4) If the stair is 15' or taller, you should install bracing to prevent vibration.



Landing



Footing

Platform Instructions

Installation

- 1) Assemble the stair according to the instruction sheet.
- 2) Attach the guard rails to the platform using the supplied 1/2"-13 x 1-1/2" bolts, lock washers and flat washers. Bolts should be tightened to 35 ft-lbs.
- 3) At this point, you may paint or coat the platform, if desired.
- 4) Attach the stair to the platform using the 1/2"-13 x 1-1/2" bolts, lock washers, flat washers, and nuts supplied by Lapeyre Stair.
- 5) It is extremely important for the vertical stability of the platform that the handrail clamps be installed **properly**. Place the clamps as high as possible on the rail, as shown. Using a 1/2" socket and ratchet, tighten to 20 ft-lbs.
- 6) Prepare the floor mounting holes in the building site. As a guide, use the bolt pattern for the footing shown on the stair instruction sheet.
- 7) Position the unit as required. Using studs or bolts (minimum 1/2" diameter), secure the stair in place.
- 8) **Lapeyre Stair recommends customer supplied sway bracing*** for straight crossover platforms. This is to insure the stability of the platform unit. Use 1/2" diameter bolts to secure 1-1/4" x 3/16" angle braces to the platform and an immovable object. Mounting holes are located in several locations for your convenience.

NEW

*Crossover Sway Bracing now available for purchase. Call customer service for pricing.

- 9) **Lapeyre Stair recommends customer supplied bracing for all other platforms.** Exit, intermediate and special crossover platforms must have legs for support.

